

# Secure Solutions® Storage

## SIN: 426-4G



General Services Administration

Federal Supply Service

Authorized Federal Supply List

Total Solutions for Law Enforcement FSC 84

Contract Number: GS-07F-0124Y Contract Period: December 1, 2011 through November 30, 2026

For more information on ordering click on the FSS Schedules button at [fss-gsa.gov](http://fss-gsa.gov).

Contractor's Information: Accurate Perforating, 3636 S Kedzie Ave, Chicago, IL 60632

Phone: 888-898-1411 Fax: 773-254-9453 Business size: Small TIN#36-2085799 Cage Code: 83906

[www.accuratemetalfab.com](http://www.accuratemetalfab.com)



Prices Shown Herein are Net (discount deducted). See page WR2 for ordering information.

ON-LINE ACCESS to ordering information, terms and conditions, up-to-date pricing and the option to create an electronic delivery order through GSA ADVANTAGE!, a menu driven database system. The internet address for GSA ADVANTAGE is: <http://GSAAdvantage.gov>



# Weapon Racks Customer Information

## How to place an order

### Email

gsaorders@accuratemetalfab.com

### Mail

Accurate Perforating  
3636 S Kedzie Ave.  
Chicago, IL 60632

1(888) 898-1411

### Provide the following information

1. Purchase order number
  2. "Bill to" and "ship to" name and address
  3. Description
  4. Quantity
- Confirm all phone orders in writing within 3 days. It is the purchaser's responsibility to check the Accurate Perforating acknowledgment document for accuracy.

The following terms and conditions are hereby incorporated into this contract:

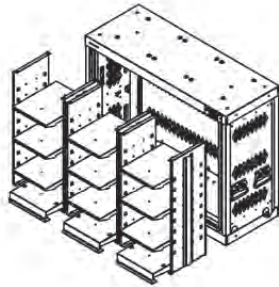
- 1A. SPECIAL ITEM NUMBERS: 426-4G  
BASIC DISCOUNT: 61.5%
- 1B. LOWEST NET PRICES: Item number 426.4G: WRBS: \$6.93
- 1C. NOT APPLICABLE
2. MAXIMUM ORDER: \$200,000.00 Net Product
3. MINIMUM ORDER: None
4. GEOGRAPHIC COVERAGE: 48 contiguous states and District of Columbia
5. POINT OF PRODUCTION: Chicago, Cook, Illinois
6. DISCOUNT FROM LIST PRICE ARE SHOWN: (as net, with discounts already deducted)
7. QUANTITY DISCOUNTS: None
8. PROMPT PAYMENT TERMS: 1% 15(fifteen) Days, Net 30
- 9A. GOVERNMENT COMMERCIAL CREDIT CARD IS ACCEPTED
- 9B. ADDITIONAL DISCOUNT FOR PAYMENT BY GOVERNMENT COMMERCIAL CREDIT CARD IS NOT APPLICABLE
10. FOREIGN ITEMS: None
- 11A. TIME OF DELIVERY: 30 days A.R.O.
- 11B. URGENT REQUIREMENTS: Contact Contractor
12. F.O.B. POINT: Destination to receiving point within 48 contiguous states and District of Columbia (street or dock). Inside delivery is available at an additional charge.
- 13A. ORDERING ADDRESS: Accurate Perforating, 3636 S Kedzie Ave, Chicago, IL 60632
- 13B. ORDERING PROCEDURES: For supplies and services, the ordering Procedures, information on Blanket Purchasing Agreements (BPAs) are found in Federal Acquisition Regulation (FAR) 8.405-3
14. PAYMENT ADDRESS: Accurate Perforating, PO Box 1156, Bedford Park, IL 60499-1156
15. WARRANTY PROVISIONS: Lifetime Warranty as shown
16. EXPORT PACKAGING CHARGES: Write or call for quotation
17. GOVERNMENT COMMERCIAL CREDIT CARD HOLDERS ARE INVOICED AT THE TIME OF SHIPMENT
18. TERMS AND CONDITIONS OF RENTAL, MAINTENANCE AND REPAIR: not applicable
19. TERMS AND CONDITIONS OF INSTALLATION: QUOTED ON INDIVIDUAL CASE BASIS
20. TERMS AND CONDITIONS OF REPAIR PARTS indicating date of parts price lists and any discounts from list prices (if applicable)
- 20A. TERMS AND CONDITIONS FOR ANY OTHER SERVICES: not applicable.
21. LIST OF SERVICE AND DISTRIBUTION POINTS: not applicable
22. LIST OF DEALERS: contact contractor
23. PREVENTATIVE MAINTENANCE: not applicable
24. ENVIRONMENTAL ATTRIBUTES: Steel components contains 15% post consumer recycled steel.
25. DATA UNIVERSAL NUMBER SYSTEM: (DUNS) number: 005066261
26. CENTRAL CONTRACTOR REGISTRATION: Accurate Perforating is registered in CCR

# Weapon Racks

Secure Solutions® Weapons Storage

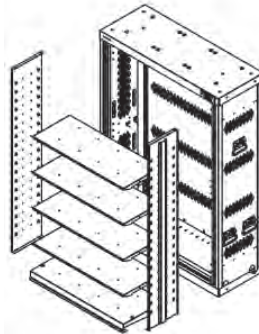
SIN: 426-4G

Racks Come in Military Green. Other colors are available at an up-charge



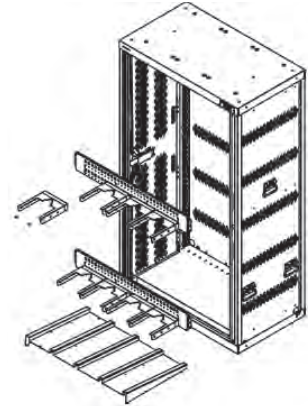
**Model: MWR34BN**  
34" tall with 21 bins for  
optics/NVG  
42"W x 16.25"D x 34"H

**Price:** \$963.27



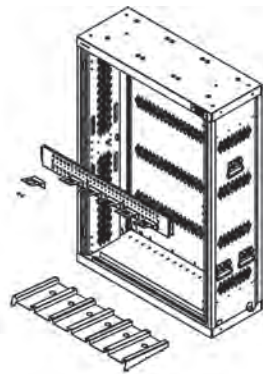
**Model: MWR61SH**  
61" tall rack with 4 full  
shelves  
42"W x 16.25"D x 61"H

**Price:** \$961.54



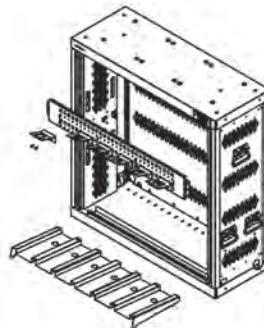
**Model: MWR120MM**  
4 120MM Mortars  
42"W x 24"D x 76"H

**Price:** \$1,656.25



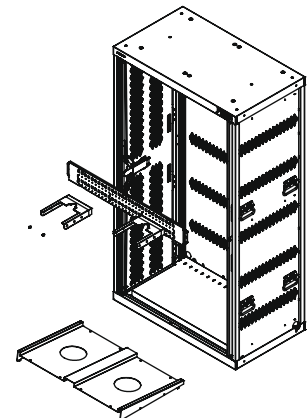
**Model: MWR240B**  
6 M240B's  
42"W x 16.25"D x 61"H

**Price:** \$938.40



**Model: MWR249**  
6 M249's  
42"W x 16.25"D x 45"H

**Price:** \$787.71



**Model: MWR TOW**  
2 TOW's  
42"W x 24"D x 76"H

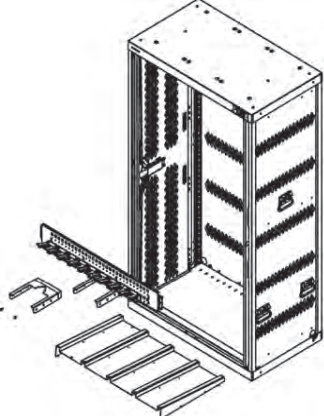
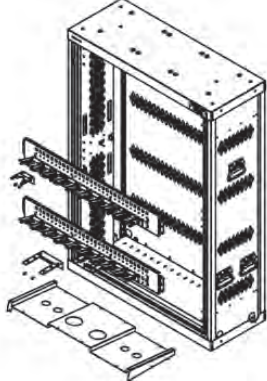
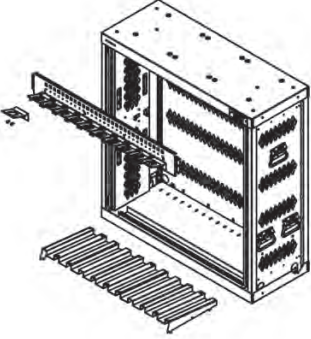
**Price:** \$1,848.00

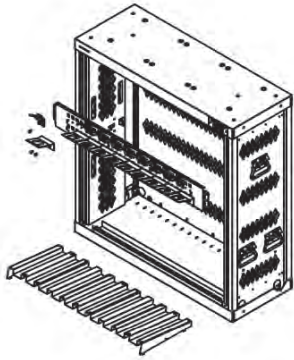
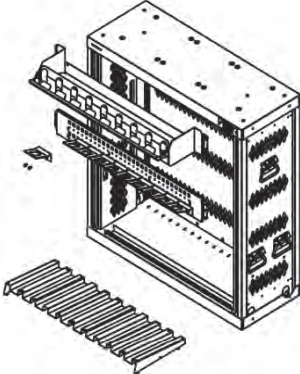
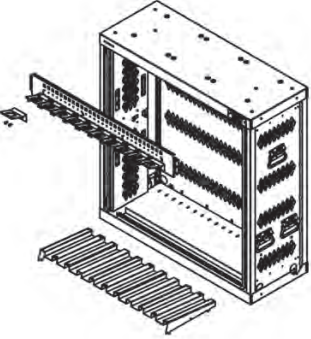
# Weapon Racks

Secure Solutions® Weapons Storage

SIN: 426-4G

Racks come in Military Green. Other colors are available at an up-charge

 <p><b>Model: MWRCLU</b> 2 CLU Javelins 42"W x 24"D x 76"H</p> <p><b>Price: \$1,539.11</b></p>	 <p><b>Model: MWRM2</b> 2 M2's plus 4 spare barrels 42"W x 16.25"D x 61"H</p> <p><b>Price: \$941.90</b></p>	 <p><b>Model: MWRM4-16-500</b> 10 M4's/M16's/M500's 42"W x 16.25"D x 45"H</p> <p><b>Price: \$810.81</b></p>
---	---	--

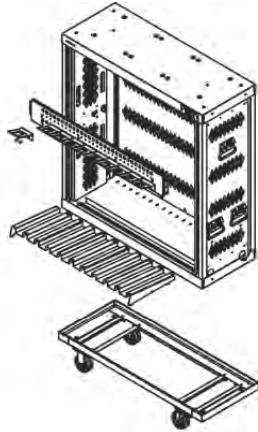
 <p><b>Model: MWRM4-16-500M9</b> 10 M4's and 9 M9's on pegs 42"W x 16.25"D x 45"H</p> <p><b>Price: \$870.58</b></p>	 <p><b>Model: MWRM4-16-500M9T</b> 10 M4's and 9 M9's in a tray 42"W x 16.25"D x 45"H</p> <p><b>Price: \$908.99</b></p>	 <p><b>Model: MWRM4-16-500M249</b> Combination M4's and M249's 42"W x 16.25"D x 45"H</p> <p><b>Price: \$836.22</b></p>
--	--	---

# Weapon Racks

Secure Solutions® Weapons Storage

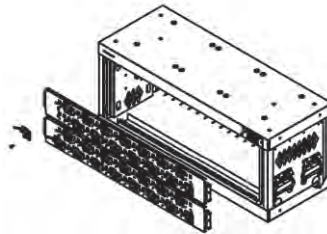
SIN: 426-4G

Racks come in Military Green. Other colors are available at an up-charge



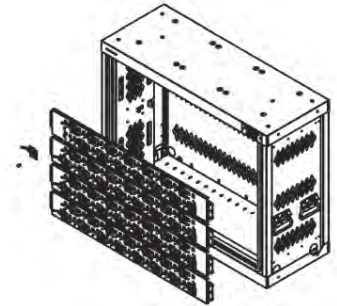
**Model: MWRM4-16-500MOBILE**  
10 M4'S on a caster cart  
42"W x 16.25"D x 45"H

**Price:** \$984.06



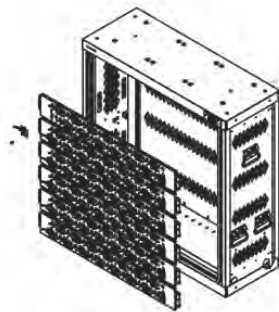
**Model: MWRM930**  
30 M9'S on pegs  
42"W x 16.25"D x 18"H

**Price:** \$802.15



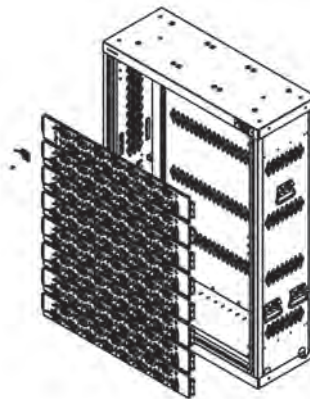
**Model: MWRM960**  
60 M9's on pegs  
42"W x 16.25"D x 634"H

**Price:** \$1,113.42



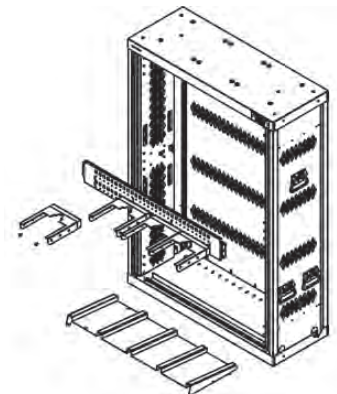
**Model: MWRM990**  
90 M9's on pegs  
42"W x 16.25"D x 45"H

**Price:** \$1,410.25



**Model: MWR9120**  
120 M9's on pegs  
42"W x 16.25"D x 61"H

**Price:** \$1,779.28



**Model: MWRMK19**  
4 MK19's  
42"W x 16.25"D x 45"H

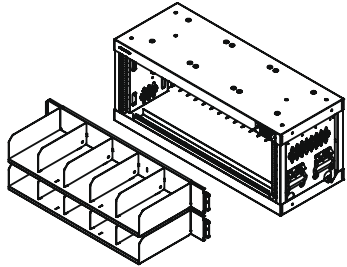
**Price:** \$926.31

# Weapon Racks

Secure Solutions® Weapons Storage

SIN: 426-4G

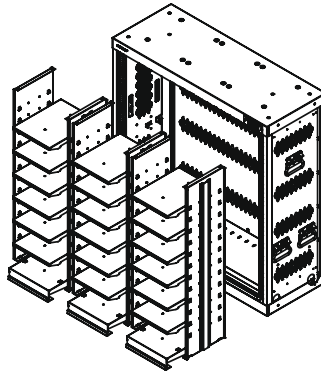
Racks Come In Military Green. Other colors are available at an up-charge



**Model: MWR18BN**

18" tall with 10 bins for optics/NVG  
42"W x 16.25"D x 18"H

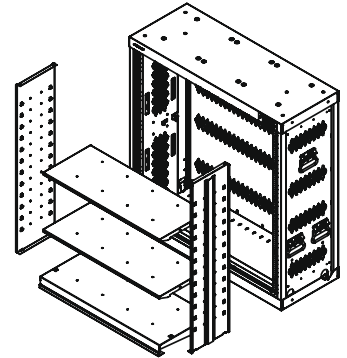
**Price:** \$754.60



**Model: MWR45BN**

45" tall with 21 bins for optics/NVG  
42"W x 16.25"D x 45"H

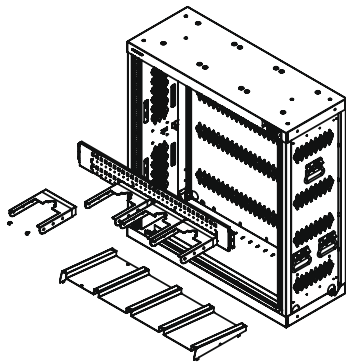
**Price:** \$1,159.04



**Model: MWR45SH**

45" tall rack with 2 full shelves.  
42"W x 16.25"D x 45"H

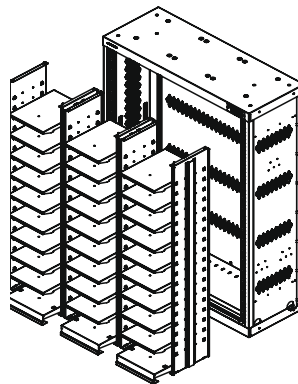
**Price:** \$768.65



**Model: MWR60MM**

4 60MM Mortars  
42"W x 16.25"D x 61"H

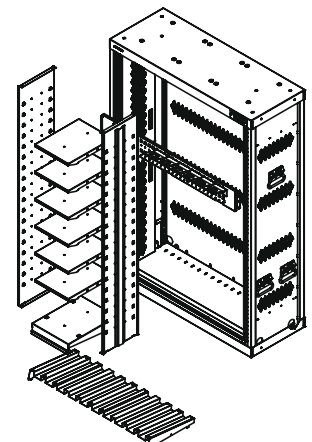
**Price:** \$810.81



**Model: MWR61BN**

30 bins for optics  
42"W x 16.25"D x 61"H

**Price:** \$1,433.93



**Model: MWR61G-6BN6**

6 guns with bin storage  
42"W x 16.25"D x 61"H

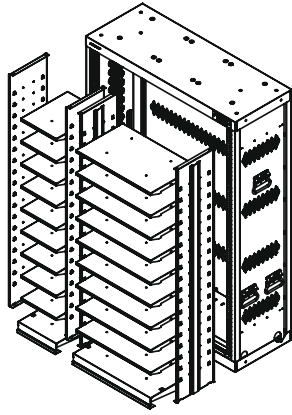
**Price:** \$1,079.93

# Weapon Racks

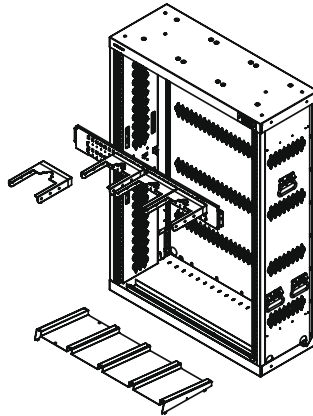
Secure Solutions® Weapons Storage

SIN: 426-4G

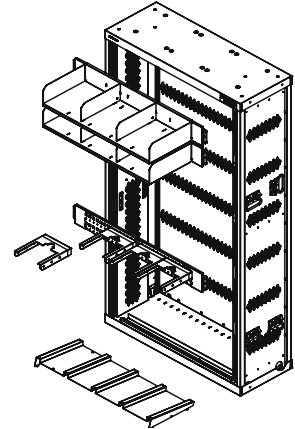
Racks come in Military Green. Other colors are available at an up-charge



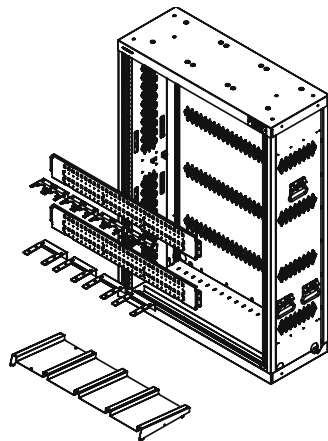
**Model: MWR61S-23BN13**  
 Cabinet with 10 bins and shelves  
 42"W x 16.25"D x 61"H  
**Price: \$1,262.42**



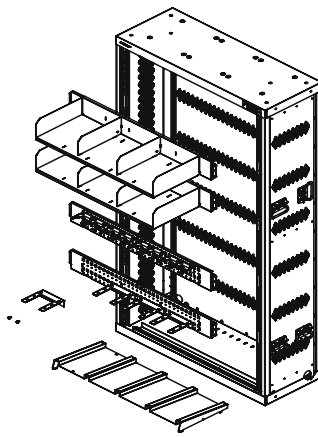
**Model: MWR81MM**  
 4 81MM Mortars  
 42"W x 16.25"D x 61"H  
**Price: \$926.31**



**Model: MWR81MM SH**  
 4 81MM Mortars  
 42"W x 16.25"D x 84"H  
**Price: \$1,732.50**



**Model: MWRM2(4)**  
 4 M2's plus spare barrels  
 42"W x 16.25"D x 61"H  
**Price: \$995.03**



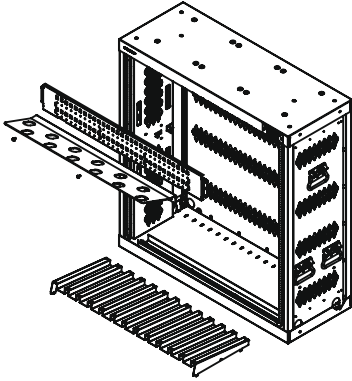
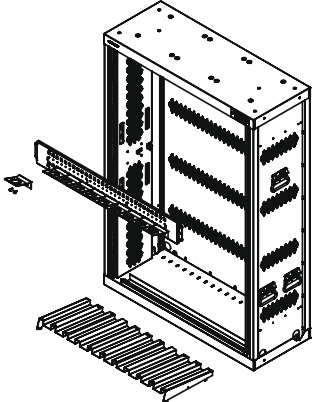
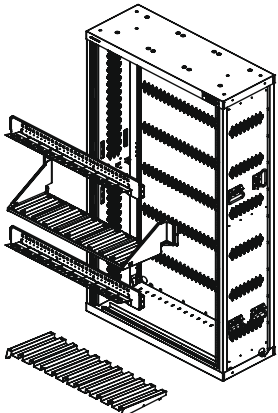
**Model: MWRM2(4) SH**  
 4 M2's in rack with bins  
 42"W x 16.25"D x 84"H  
**Price: \$1,636.25**

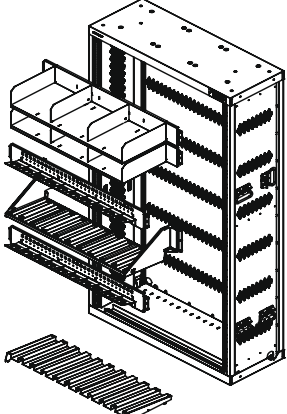
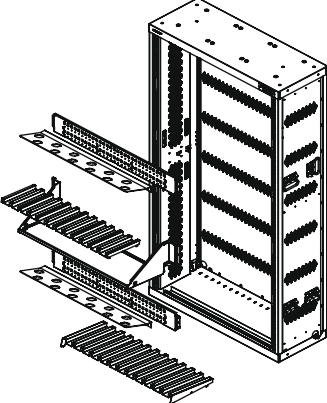
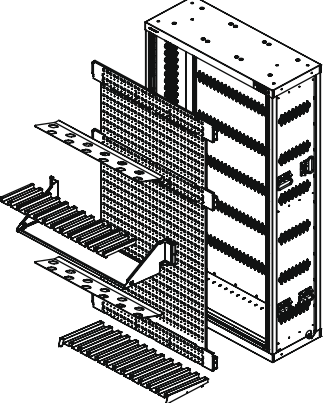
# Weapon Racks

Secure Solutions® Weapons Storage

SIN: 426-4G

Racks come in Military Green. Other colors are available at an up-charge

 <p><b>Model: MWRM4-12</b> 12 M4's/M16's 42"W x 16.25"D x 45"H</p> <p><b>Price: \$868.56</b></p>	 <p><b>Model: MWRM14/ M110/M24</b> 10 each in any combination 42"W x 16.25"D x 61"H</p> <p><b>Price: \$965.58</b></p>	 <p><b>Model: MWRM16-20</b> 20 M4's 42"W x 16.25"D x 61"H</p> <p><b>Price: \$1,636.25</b></p>
---	---	--

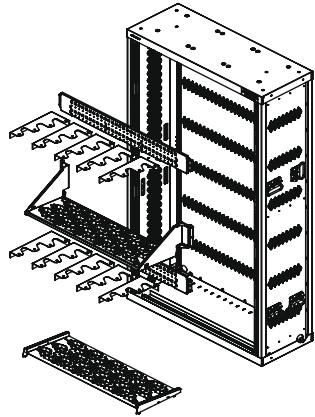
 <p><b>Model: MWRM16- 20SH</b> 20 M4's in rack with bin 42"W x 16.25"D x 84"H</p> <p><b>Price: \$1,636.25</b></p>	 <p><b>Model: MWRM16-24</b> 24 M4's 42"W x 16.25"D x 84"H</p> <p><b>Price: \$1,636.25</b></p>	 <p><b>Model: MWRM16- 24BP</b> 24 M4's with back for M9 placement 42"W x 16.25"D x 84"H</p> <p><b>Price: \$1,780.63</b></p>
--	---	--

# Weapon Racks

Secure Solutions® Weapons Storage

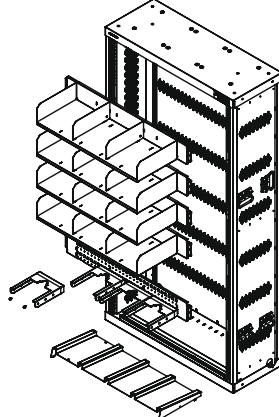
SIN: 426-4G

Racks come in Military Green. Other colors are available at an up-charge



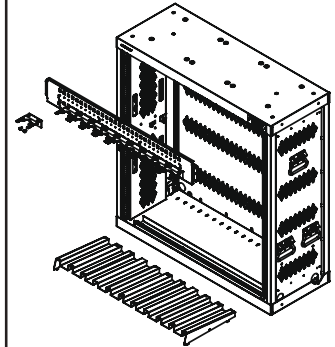
**Model: MWRM16-30SC**  
30 M4/M16  
42" W x 16.25" D x 84" H

**Price:** \$1,828.75



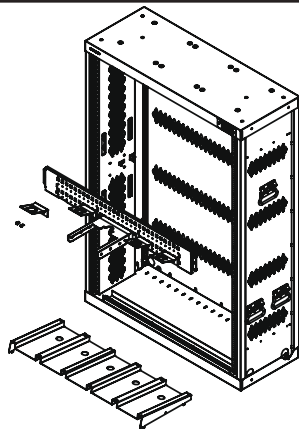
**Model: MWRM-60MMSH**  
4 60MM Mortars  
42" W x 16.25" D x 84" H

**Price:** \$1,732.50



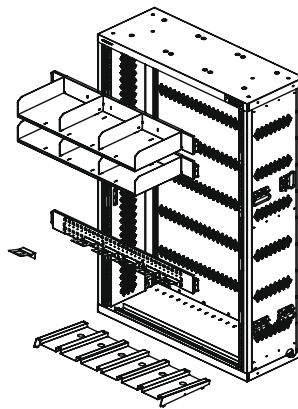
**Model: MWRM203/M500**  
10 M203 or shotguns  
42" W x 16.25" D x 45" H

**Price:** \$799.26



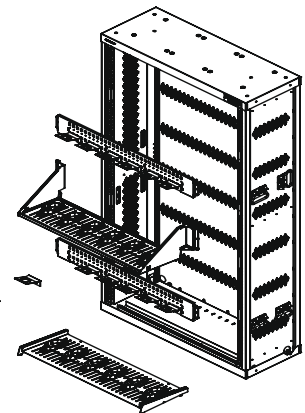
**Model: MWRM240-MK19**  
1 MK19's and 4 M240B's  
42" W x 16.25" D x 84" H

**Price:** \$932.09



**Model: MWRM240SH**  
6 M280B's  
42" W x 16.25" D x 84" H

**Price:** \$1,636.25



**Model: MWRM249-12SC**  
12 M49's  
42" W x 16.25" D x 84" H

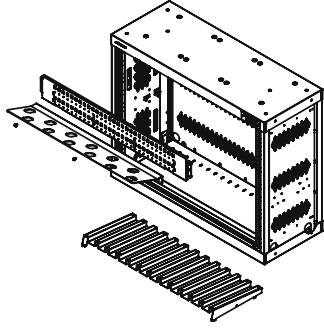
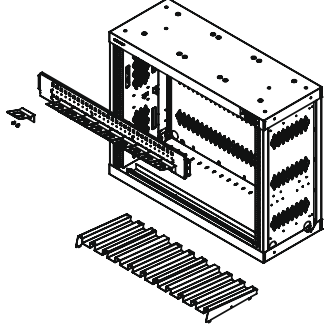
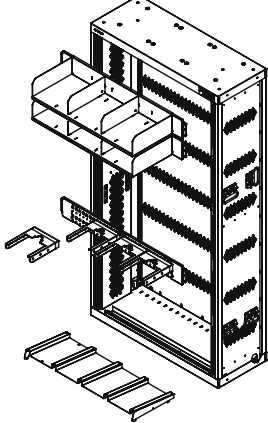
**Price:** \$1,636.25

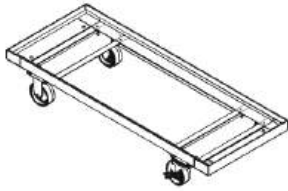
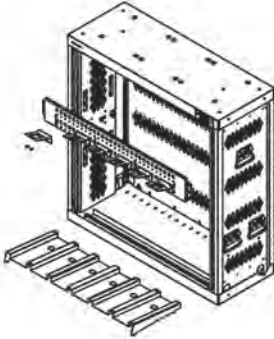
# Weapon Racks

Secure Solutions® Weapons Storage

SIN: 426-4G

Racks come in Military Green. Other colors are available at an up-charge

 <p><b>Model: MWRM434-12</b> 12 M4's 42"W x 16.25"D x 34"H</p> <p><b>Price:</b> \$825.25</p>	 <p><b>Model: MWRM434</b> 10 M4's 42"W x 16.25"D x 34"H</p> <p><b>Price:</b> \$767.50</p>	 <p><b>Model: MWRMK19SH</b> 4 MK19's 42"W x 16.25"D x 84"H</p> <p><b>Price:</b> \$1,636.25</p>
---	---	---

 <p><b>Model: WRC42GN</b> 43"W x 17"D x 7.5"H</p> <p><b>Price:</b> \$176.25</p>	 <p><b>Build Your Own Weapon Rack</b> Designed specially for your equipment. Call: (888) 898-1411 Ask for Ken Wesolowski</p>	
--	--	--